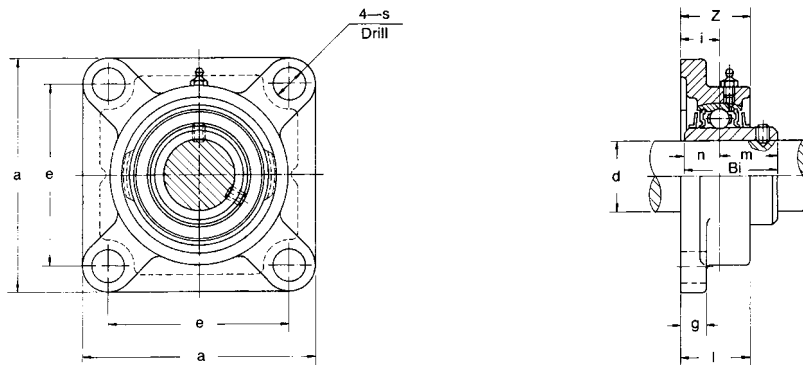


Set Screw Type - Normal Duty



Unit No.	Shaft Dia.		Dimensions (in.) (mm)										Bolt Used		Bearing No.	Housing No.	Weight		
	d		a	e	i	g	l	s	Z	Bi	n	m	(mm)	(in.)			kg	lbs	
	(in.)	(mm)																	
UCF 201		12																	
201-8	1/2	15																	
202																			
202-10	5/8	17	3-3/8	2-32/64	14/32	7/16	1	15/32	1-5/16	1.2205	0.5000	0.7205	10	3/8					
203			86	64	15	11	25.5	12	33.3	31.0	12.7	18.3							
204-12	3/4	20																	
204																			
UCF 205-14	7/8																		
205-15	15/16		3-3/4	2-3/4	5/8	1/2	1-1/16	15/32	1-13/32	1.3386	0.5630	0.7756	10	3/8					
205		25	95	70	16	13	27	12	35.7	34.0	14.3	19.7							
205-16	1																		
UCF 206-18	1-1/8																		
206		30	4-1/4	3-17/64	45/64	1/2	1-7/32	15/32	1-19/32	1.5000	0.6260	0.8740	10	3/8					
206-19	1-3/16		108	83	18	13	31	12	40.2	38.1	15.9	22.2							
UCF 207-20	1-1/4																		
207-21	1-5/16		4-19/32	3-5/8	3/4	19/32	1-11/32	35/64	1-3/4	1.6890	0.6890	1.0000	12	7/16					
207-22	1-3/8		117	92	19	15	34	14	44.4	42.9	17.5	25.4							
207		35																	
207-23	1-7/16																		
UCF 208-24	1-1/2																		
208-25	1-9/16		5-1/8	4-1/64	53/64	19/32	1-13/32	5/8	2-1/32	1.9370	0.7480	1.1890	14	1/2					
208		40	130	102	21	15	36	16	51.2	49.2	19.0	30.2							
UCF 209-26	1-5/8																		
209-27	1-11/16		5-13/32	4-9/64	55/64	5/8	1-1/2	5/8	2-1/16	1.9370	0.7480	1.1890	14	1/2					
209-28	1-3/4		137	105	22	16	38	16	52.2	49.2	19.0	30.2							
209		45																	
UCF 210-30	1-7/8																		
210-31	1-15/16		5-5/8	4-3/8	55/64	5/8	1-9/16	5/8	2-5/32	2.0315	0.7480	1.2835	14	1/2					
210		50	143	111	22	16	40	16	54.6	51.6	19.0	32.6							
UCF 211-32	2																		
211-34	2-1/8		6-3/8	5-1/8	63/64	23/32	1-11/16	3/4	2-5/16	2.1890	0.8740	1.3150	16	5/8					
211		55	162	130	25	18	43	19	58.4	55.6	22.2	33.4							
211-35	2-3/16																		
UCF 212-36	2-1/4																		
212		60	6-7/8	5-5/8	1-9/64	23/32	1-7/8	3/4	2-23/32	2.5630	1.0000	1.5630	16	5/8					
212-38	2-3/8		175	143	29	18	48	19	68.7	65.1	25.4	39.7							
212-39	2-7/16																		
UCF 213-40	2-1/2																		
213		65	7-3/8	5-55/64	1-3/16	7/8	1-31/32	3/4	2-3/4	2.5630	1.0000	1.5630	16	5/8					
			187	149	30	22	50	19	69.7	65.1	25.4	39.7							

Dimensions listed is for reference only